

Messenger USB
by
Nel-Tech Labs, Inc.

Installation & User Manual

Note: All units support MP3 playback of up to 128Kbps @ 48KHz. Units with serial numbers starting with 15 or above will support the addition of WAV playback done in PCM 16-bit format.

Index:

Introduction	3
Messenger USB Layout Summary.....	4
Installation	5
Message Programming & Operation.....	6
Troubleshooting	6
Warranty & FCC	7

Introduction:

The Messenger USB is a state-of-the-art digital audio playback device designed to provide a continuous-play audio source for message-on-hold, background music, or any other audio application where high-quality audio playback is required. Messages are stored on industry standard USB flash drives of 16MB and larger.

Unpacking and Inspection:

Before you begin installation, unpack and verify you have all the correct parts.

- (1) Messenger USB
- (1) USB flash drive
- (1) 12VDC @ 500mA power supply
- (1) Instruction manual
- (1) RCA to RCA cable
- (1) 1/8" Adapter
- (2) Wall mount screws
- (4) Rubber feet

If you are missing any of these parts STOP and call your dealer.

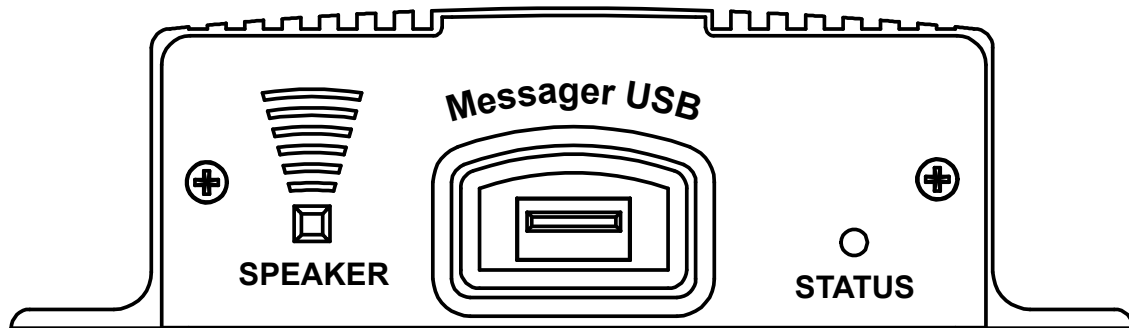
Important Notes:

Some USB drives have an indicator LED - This LED may blink slow, fast or may stay solid during playback. Any description in the manual about the LED is referring to the BLUE STATUS LED on the player.

If unit is equipped with Sonocrypt Level 3 encryption then it will only play encrypted MP3 or WAV files. Talk to your dealer or service provider for more information.

Messenger USB Layout Summary:

Front of Unit



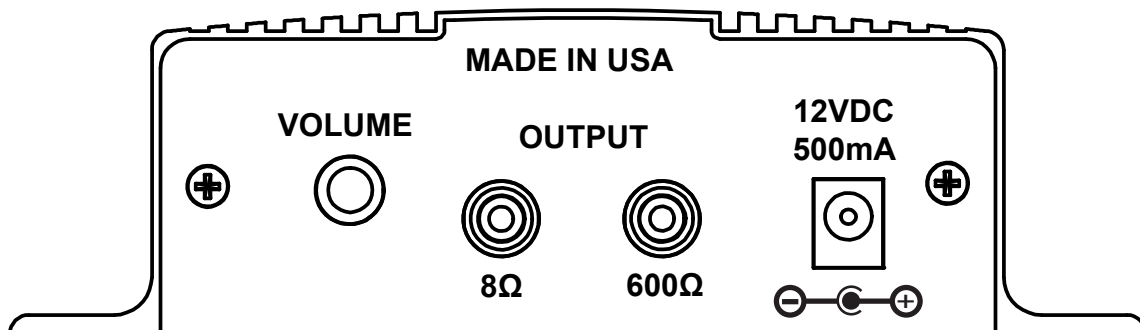
SPEAKER - The SPEAKER switch can be turned ON and OFF to monitor audio playback. The switch has no effect on the audio output connections on the rear of the unit. Switch should normally be kept OFF.

(NOTE: The monitor speaker volume is fixed, and is independent of the Volume control on back of the unit.)

USB JACK - The USB drive is inserted here to play or load audio. If insertion of drive is difficult, turn the drive over and try reinserting. Drive should slide into jack smoothly.

STATUS - The STATUS indicator is a BLUE LED that during normal operation will be SOLID during playback. If there is a problem with the drive, it is not inserted or is empty, the LED will BLINK.

Rear of Unit



VOLUME - This pot is used to control the 8Ω and 600Ω output level of the stored messages. Volume up is clockwise, volume down is counter-clockwise.

8Ω and 600Ω OUTPUT - This jack connects to the INPUT of the phone systems MOH port or PA system. Depending upon the systems impedance use either the 8Ω or 600Ω jack - **DO NOT USE BOTH!**

12VDC - This is where the supplied 12VDC @ 500mA power pack is connected.

Installation:

The Messenger USB should be installed using the following steps:

Step 1: Wall or shelf mount the unit. Screws and rubber feet are supplied in the accessory kit.

Step 2: If connecting to an amplifier make sure it is turned OFF for this part of the installation.

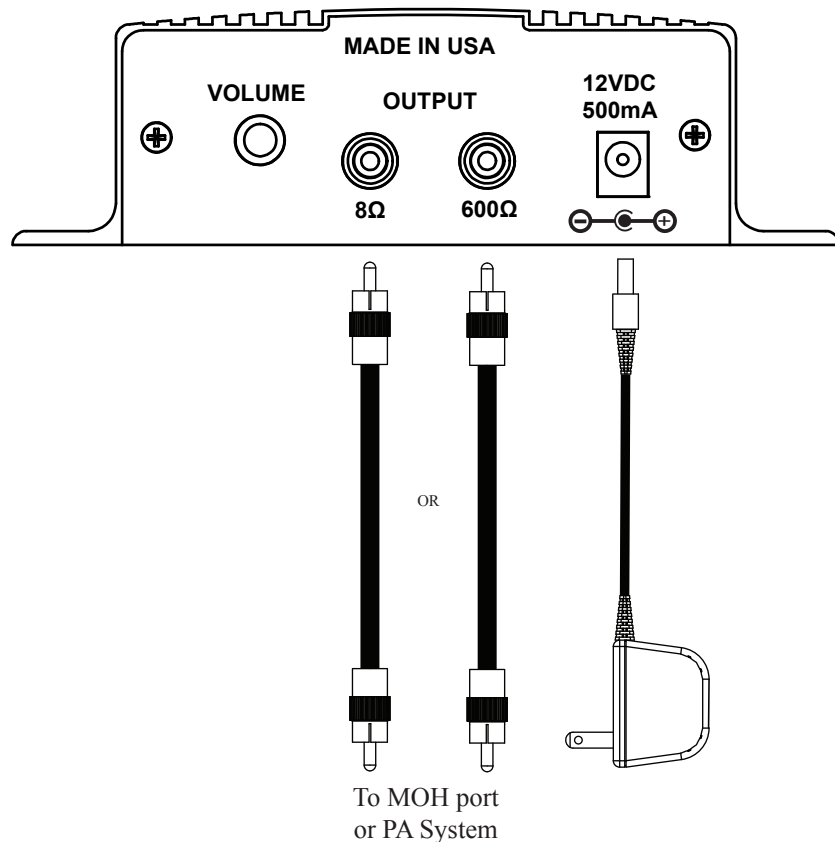
Step 3: Connect a RCA cable (supplied in the accessory kit) to the OUTPUT jack on the rear of the unit. Depending upon the required impedance use either the 8Ω or 600Ω output RCA jack. Connect the other side to the MOH port on the phone system, PA system or speaker.

Step 4: Insert USB media. If insertion of drive is difficult, turn the drive over and try reinserting. Drive should slide into jack smoothly. See Message Programming & Operation section if USB media is blank.

Step 5: Attach the included power pack to a wall or power strip receptacle, then attach the other end to the jack on the rear of the unit labeled 12VDC.

Step 6: If any amplifiers were turned OFF during installation then turn them back ON now.

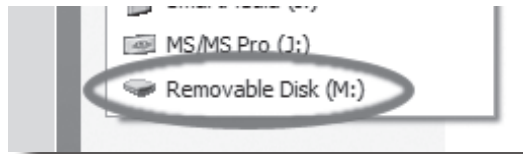
Step 7: Adjust the volume level pot labeled VOLUME on the rear of the unit. Depending upon the application either call into the phone system and be placed on hold OR listen to the PA systems speakers to fine tune volume. Volume up is clockwise, volume down is counter-clockwise.



Message Programming & Operation:

All messages that are available for the Messenger USB play are stored on an industry standard USB flash drive. Messages should be formatted as a mono MP3 or WAV files not to exceed 128Kbps @ 48KHz (MP3) or PCM 16-bit(WAV). Follow these steps to add or remove files from a USB flash drive.

Step 1: Plug the USB flash drive into an available USB port on a any PC or MAC compatible computer. The flash drive should show up as a “Removable Disk” on the computer.



Step 2: Drag ‘n’ drop the file(s) to the USB flash drive in the order you want them to be played on the unit. If removal of files are required then select the files and press the <delete> key on the keyboard.

Step 3: Remove the USB flash drive from the computer.

Step 4: Plug the USB flash drive into the Messenger USB for playback.

If the USB drive ever needs to be erased completely then it can be formatted using your computer. Drives smaller than 2GB can be formatted using FAT, and drives 2GB or larger can use FAT32.

Note: Audio files should be named using alpha-numeric labels (A-Z, 0-9). Any other characters or symbols, such as +, -, /, (,), &, etc. should **NOT** be used.

Troubleshooting:

Problem	Possible Reason
Status LED - OFF	Power pack not plugged in or on a switched outlet
Status LED - BLINKING FAST	No audio on unit or USB media not inserted correctly Files are encrypted with Sonocrypt, or improperly named
MOH message not playing	Check USB media for missing, improperly named, or encrypted file Check volume output level by adjusting the VOLUME pot Check OUTPUT connection from unit to phone or PA system Try switching between the 8Ω and 600Ω OUTPUT connections
Skipping over files	File not compatible with unit/encrypted file
Popping audio	File was encoded using too high of a bit-rate File incompatible with unit File audio starting too close to beginning of file
Distorted audio	Check to make sure volume is not too high Check MP3 or WAV file quality Try switching between the 8Ω and 600Ω OUTPUT connections File was encoded using too high of a bit-rate File was encoded using too low of a bit-rate File incompatible with unit

Limited Warranty

TERMS: Nel-Tech Labs warrants to the original purchaser (“Buyer”) that the Product sold is free from defects in material and workmanship at the time of purchase. The warranty period begins at the time of Product’s original purchase by the first end-user. The warranty applies for five (5) year from the original date of purchase, or as long as the product is owned by the original purchaser, whichever comes first. Included in the warranty are parts and labor. Buyer must provide written notice to Nel-Tech Labs of any defective part or conditions within the warranty period. If the defect is not the result of improper use, service, maintenance or installation, and if the equipment has not been otherwise damaged or modified after shipment, Nel-Tech Labs or its authorized representative shall either replace or repair the defective Product at Nel-Tech Labs’s option. No credit shall be allowed for work performed by Buyer or unauthorized parties. Out-of-warranty repairs are invoiced at the current Nel-Tech Labs hourly rate plus the cost of parts, shipping and handling. In the event that the product serial number is missing or has been tampered with in any way, the foregoing warranty is void and without effect and Nel-Tech Labs shall have no liability whatsoever on account of defects to such product.

LIMITATIONS: Except as stated above, there are no warranties, express or implied, that extend beyond the specifications for the product. Nel-Tech Labs expressly disclaims any warranty, express or implied, that equipment sold hereunder is of merchantable quality or that it can be used, or is fit for any particular purpose. Buyer purchases and accepts equipment solely on the basis of the warranty here in above expressed. Under no circumstances shall Nel-Tech Labs be liable by virtue of this warranty or otherwise for any special indirect, secondary or consequential damages to any person or property arising out of the use or inability to use the product.

REPAIRING OR REPLACING PRODUCT: Buyer may obtain the repair or replacement of any eligible part or equipment covered under this warranty through a Nel-Tech Labs dealer only. Buyer is responsible for all shipping and handling charges in connection with the performance of this warranty. Products returned to Nel-Tech Labs must be securely packaged to prevent damage in transit, freight prepaid, and insured for replacement value. A return authorization number assigned by Nel-Tech Labs must be clearly marked on the outside of the shipping container. Proof of purchase must accompany shipment. Items delivered to Nel-Tech Labs without a return authorization clearly marked on the outside of the shipping container, and/or without proof of purchase is refused.

CONTACT: Please contact Nel-Tech Labs at the address and phone number below to receive a return authorization number and to arrange for the repair or replacement of a flawed part covered by this warranty. Please indicate the Product’s serial number in all correspondence or a RMA authorization number in the absence of a serial number. Nel-Tech Labs, 4 Ash Street Extension, Derry, NH 03038, Phone: 1.603.425.1096.

COPYRIGHT NOTICE: Unauthorized or unlicensed use of copyrighted audio content is illegal and Nel-Tech Labs, Inc. takes no responsibility for such action by the user of this equipment.

FCC Part 15 : This equipment has been tested and found to comply within the limits for a Class A digital device, pursuant to Part 15 of the FCC rules. These limits are designed to provide reasonable protection against harmful interference when the equipment is operated in a commercial environment. This equipment generates, uses and can radiate radio frequency energy and, if not installed and used in accordance with the instruction manual, may cause harmful interference to radio communications. Operation of the equipment in a residential area is likely to cause harmful interference in which case the user will be required to correct interference at his own expense. In order to maintain compliance with FCC regulations shielded cables must be used with this equipment. Operation with non-approved equipment or unshielded cables is likely to result in interference to radio & television reception.

Changes or modifications not expressly approved by Nel-Tech Labs could void the users’ authority to operate the equipment.

IC ES 003 : This Class A digital apparatus complies with Canadian ICES-003 C et appareil numérique de la classe A est conforme à la norme NMB-003 du Canada.

CE CONFORMITY : The Nel-Tech Labs Messenger USB conforms with the following standards, in accordance with the EU Safety, EMC Emissions, & EMC Immunities : EN 60950-1:2001, EN 55022:1998 for Class A, EN 55024:1998 + A1:2001 + A2:2003, EN 61000-4-2:1995 + A1:1998, EN 61000-4-3:1995, EN 61000-4-4:1995, EN 61000-4-5:1995, EN 61000-4-6:1996, EN 61000-5-11:1994.





Nel-Tech Labs, Inc.
4 Ash Street Extension
Derry, NH 03038

1.603.425.1096
nel-techlabs.com

Rev. 01/15

Copyright © 1984 - 2015 by Nel-Tech Labs, Inc.